

UIM03 DISCRETE I/O MODULES

Reference Products:

UIM03 16 digital input, 16 digital output

The UIM03 give you the flexibility to expand MMI applications, the UIM03 is a modular hardware that you can easily plug into an existing UniOP MMI.

Specifications

INPUTS:

Description	Specifications
Number	16
Type	Optoisolated (industrial standard) active high (+24VDC) inputs. Group of four inputs has common return line (M1-M4)
Voltage for Condition "ON"	12÷30VDC (min 3mA) nominal 24VDC/6mA max 35V (500msec)
Max voltage for Condition "OFF"	4VDC, 0.8mA
Isolation	1500 Vrms
Connector type	MINI-COMBICON plugs 3.5mm-4 contacts (two piece terminal blocks) MC 1.5/4 ST 3.5
Hardware filter	10 KHz

OUTPUTS:

Description	Specifications
Number	16
Type	Relay single contact (normal OPEN)
Max continuous current	1 A
Max switching voltage	DC:42V, AC:30V
Isolation	CONTACT/COIL: 1000 Vrms OPEN CONTACTS: 500 Vrms
Short circuit protection	NO
Connector type	MINI-COMBICON plugs 3.5mm – 8 contacts (two piece terminal blocks) MC 1.5/8 ST 3.5

ENVIRONMENTAL CONDITIONS:

Description	Specifications
Operating Temperature	0 ÷ +50 °C
Storage Temperature	-20 ÷ +70 °C
Operating Humidity	5 ÷ 95% relative humidity, non condensing

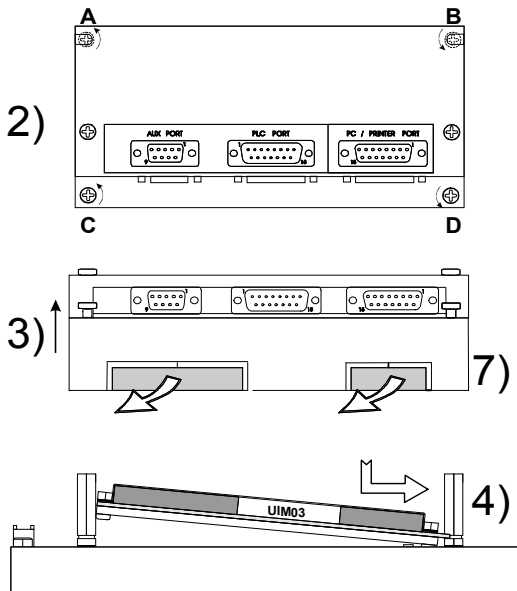
1 MANUIM03-001 V.1.04 01.12

Installing the I/O Modules

Tools: crosshead screwdriver (diameter 4 mm), screwdriver (tip 4mm), wrench 7 mm.

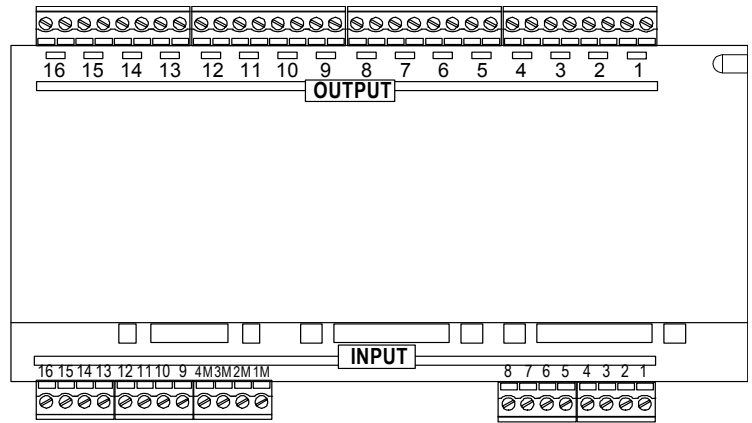
The mounting procedure for the module is the following:

- 1) Turn off the operator panel and remove all cables.
- 2) Unscrew (but not remove) with the crosshead screwdriver the four screws A, B, C, D.
- 3) Remove the rear cover.
- 4) Insert the UIM03 module
- 5) Fix the UIM03 module with the two screws E and F.
- 6) Plug the UIM03 internal flat cable connector in to the red connector and make sure they are properly latched.
- 7) Remove three side protection from the steel rear box.
- 8) Replace the rear cover, and fix the screws A, B, C, D.
- 9) Stick the labels indicating the UIM03 pins assignment.

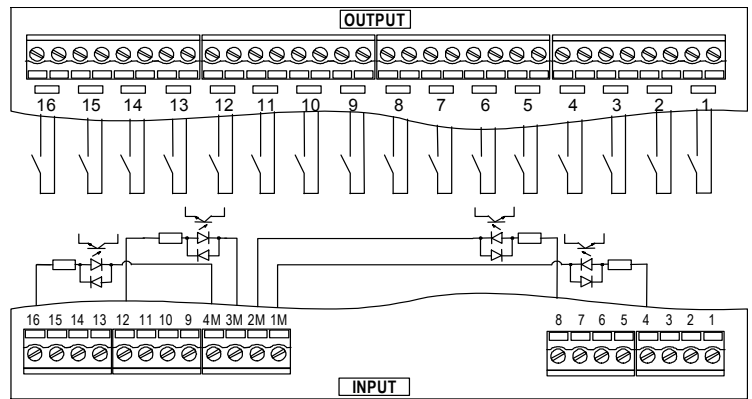


3 MANUIM03-001 V.1.04 01.12

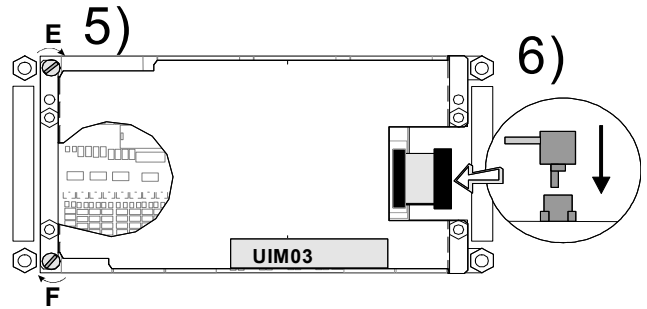
Connectors view



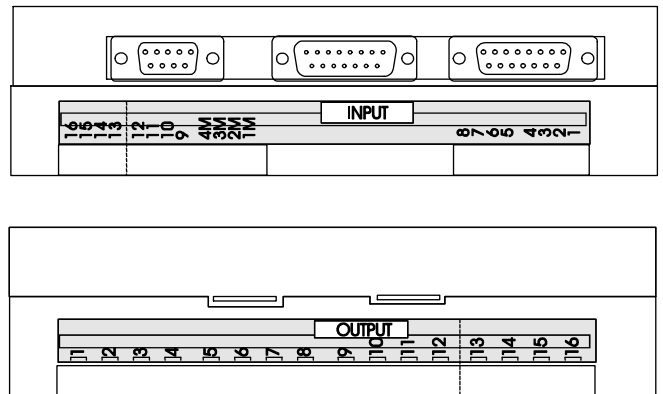
Module block diagram



2 MANUIM03-001 V.1.04 01.12



9)



4 MANUIM03-001 V.1.04 01.12